

ANALOG PANEL METERS

OUTDOOR PANEL METER

MODEL 584MM

DESCRIPTION

3 1/2" ROUND

The 584MM series of analog panel meters is designed to operate in harsh environments. The ruggedized meters have all metal cases and polycarbonate windows. The 584MM models are provided with a gasket to ensure dust and moisture protection. The meter mechanisms have a long history of lasting durability and performance within specifications.

SPECIFICATIONS

Accuracy ±2%
 Repeatability 1%
 Overload 10X Momentary/2X Sustained
 Response Time 1.5 Seconds
 Environmental IP66
 Temperature -55°F to +158°F
 Weight 14 oz.

VIBRATION, TEMPERATURE, AND ENVIRONMENTAL SPECIFICATIONS ALL EXCEED ANSI C39.1

MADE
IN U.S.A.



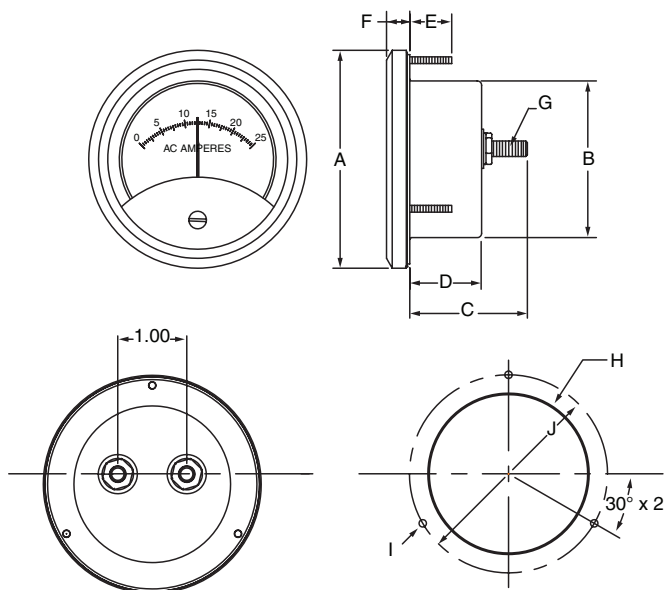
MOUNTING/DIMENSIONS

DIMENSION	3.5"
A	∅ 3.50
B	∅ 2.77
C	2.21
D	1.50
E	0.50
F	0.39
G	1/4-28 TERMINAL x 2
H	∅ 2.8125
I	∅ 0.16 x 3
J	∅ 3.16

AC VOLTMETERS 50-400Hz, Iron Vane		
VOLTS SCALE	VOLTS RATED	3 1/2"
150	0-150	584MM-15R-150VAC-FC
300	0-300	584MM-15R-300VAC-FC
600	0-600	584MM-15R-600VAC-FC
600	0-150*	584MM-15R-150VAC-600V-FC
750	0-150*	584MM-15R-150VAC-750V-FC
3000	0-150*	584MM-15R-150VAC-3000V-FC

*PT Rated

AC AMMETERS Transformer-Rated, 0-5 Amperes, 50-400Hz, Iron Vane		
AMP SCALE	3 1/2"	
0-5	584MM-15R-5AAC-5AAC-FC	
0-50	584MM-15R-5AAC-50AAC-FC	
0-60	584MM-15R-5AAC-60AAC-FC	
0-75	584MM-15R-5AAC-75AAC-FC	
0-100	584MM-15R-5AAC-100AAC-FC	
0-150	584MM-15R-5AAC-150AAC-FC	
0-200	584MM-15R-5AAC-200AAC-FC	
0-300	584MM-15R-5AAC-300AAC-FC	
0-500	584MM-15R-5AAC-500AAC-FC	
0-600	584MM-15R-5AAC-600AAC-FC	
0-800	584MM-15R-5AAC-800AAC-FC	
0-1000	584MM-15R-5AAC-1000AAC-FC	
0-1500	584MM-15R-5AAC-1500AAC-FC	
0-2000	584MM-15R-5AAC-2000AAC-FC	



All Dimensions In Inches

Panel Cutout

FLEX-CORE®
 Div. Morlan & Associates, Inc.
 4970 Scioto Darby Rd. Hilliard, Ohio 43026

WWW.FLEX-CORE.COM
 sales@flex-core.com

PHONE (614) 889-6152
 TECH. ASSISTANCE (614) 876-8308
 FAX # (614) 876-8538