

# DIGITAL SWITCHBOARD METERS

## DIGITAL SWITCHBOARD METER

MODELS 2491, 2492, 2493

### FEATURES

The Model 2491 (Single function), Model 2492 (Dual function), and Model 2493 (Triple Function) Digital Switchboard Meters were developed to provide customers with a versatile AC digital power meter. Some of the unique features are:

- End user programmable for CT ratios and PT ratios
- End user selectable legends Watts, kWatts and mWatts, etc.
- Non-volatile memory. If loss of power occurs, all settings will remain the same.
- Accuracy of  $\pm 0.2\%$  of reading,  $\pm 0.1\%$  Full Scale.
- True RMS current and voltage measuring. Most desirable if distorted sine wave is present.
- Security of settings..... Complete removal of cover is required to access selectable or programmable variables. Four push buttons are used for quick setup, except 2493 with front panel configuration.
- Display averaging..... Programmable from 1 to 25 samples to eliminate annoying digit bounce.
- RS485 communication option allows up to 32 units to be networked together for remote reading.
- Analog output option allows ability to connect to data acquisition systems.
- Complete operating instruction manual included with each meter.
- NIST Calibrated Certificate/Test data available as an option.
- Modbus communication option allows connection to existing control systems.

### 2491 (Single Function)

### 2492 (Dual Function)

### 2493 (Triple Function)



AMPS/AC  
VOLTS/AC  
FREQUENCY  
VOLTS/DC



VOLTS/AC  
AMPS/AC



AMPS/AC  
AMPS/AC  
AMPS/AC



POWER  
FACTOR/  
PHASE  
ANGLE



VOLTS/AC  
FREQUENCY



VOLTS/AC  
VOLTS/AC  
VOLTS/AC



WATTS



WATTS/  
VARS



WATTS/  
VARS/  
POWER  
FACTOR



VARS



WATTS/  
POWER  
FACTOR



VOLTS/AC  
AMPS/AC  
FREQUENCY

DIGITAL SWITCHBOARD METERS

**FLEX-CORE®**

Div. Morlan & Associates, Inc.

4970 Scioto Darby Rd. Hilliard, Ohio 43026

WWW.FLEX-CORE.COM

sales@flex-core.com

PHONE (614) 889-6152

TECH. ASSISTANCE (614) 876-8308

FAX # (614) 876-8538

# DIGITAL SWITCHBOARD METERS

## GENERAL SPECIFICATIONS

MODELS 2491, 2492, 2493

Display	Type Digit Height Response Time	4 digit Red LED for 2493 (3 displays) 4 1/2 digit Red LED for 2491, 2492 0.56 inch or 14mm 250millisecond minimum update time for V/V/V, A/A/A, 2491 and 2492 Less than 500ms min. update time for V/A/Hz, Watt/Var/PF 2493	
Auxiliary Power	2491 2492 2493	120V or 240Vac ( $\pm 15\%$ ) 45-65Hz, 4.5VA max. Optional 24, 48, 125Vdc power supply	
Input Rating	Current Voltage dc Voltage Frequency	0 to 1 Aac; 0 to 5Aac 0-120Vac, 0-240Vac, 480Vac, (W/Var/PF/PA); 0-150Vac, 0-300Vac, 600Vac (Volt/Freq.) 0-150Vdc, 0-300Vdc, 0-600Vdc 50/60Hz and 400Hz	
Input Range	Rated Current Rated Voltage	A/W/Var: 0-200%; PF/PA: 20-200% V/W/Var: 0-120%; PF/PA: 50-120%; Frequency: 20-120%	
Sustained Input	Rated Current Rated Voltage Rated Voltage (2493)	A/W/Var/PF/PA: 200% continuous, 10x rating for 5 seconds V/W/Var/Freq.: 120% continuous; PF/PA: 150% continuous V/V/V: 120% continuous; W/Var/PF: 150% continuous	
Burden	Current Voltage	<0.2Va per element 120V:<0.2Va per element; 240V:<0.4Va per element	
Accuracy	Reference Condition 25°C, 45-74% RH, at rated input 60Hz sine wave, 30 min. warmup  2491, 2492 2493	Voltage Current Watt/Var Power Factor	$\pm 0.2\%$ of reading + 0.1% of full scale  $\pm 0.05$ Power Factor
		Phase Angle Frequency	$\pm 0.5^\circ$ Phase Angle $\pm 0.01\text{Hz}$ @ 40-70Hz, -0.5Hz @ 300-500Hz
Analog Output and Response Time	0 to 1mA 4 to 20mA 12 $\pm$ 8mA	10Vdc compliance into 10K $\Omega$ load maximum 15Vdc compliance into 750 $\Omega$ maximum 1 second maximum response time within $\pm 1\%$ of final value	
Output Ripple		0.5% peak-to-peak maximum of output scan	
Communications	Optional	RS-485 half duplex interface with networking up to 32 units and Modbus	
Isolation Voltage/Insulation Resistance	Input to Output/case Aux. power to case Aux. power to output Output to case 2491 dc	2500Vac for 1 minute/more than 10 Megohm @ 500Vdc 2000Vac for 1 minute/more than 10 Megohm @ 500Vdc dc auxilliary power: 500Vdc minimum/10 Megohm minimum @ 100Vdc 2000Vac for 1 minute/more than 10 Megohm @ 500Vdc dc auxilliary power: 500Vdc minimum/10Megohm @ 100Vdc 1000Vac for 1 minute/more than 10 Megohm @ 500Vdc	
Temperature Range	Operating Storing	-20°C to +60°C at 90% RH maximum (non-condensing) -40°C to +85°C	
Temperature Coefficient	Display & Comm. Analog Output	+150PPM/°C maximum of full scale +250PPM/°C maximum of full scale	
Input Frequency Range	Volt, Amp, Hertz	45-65Hz fundamental through the 9th harmonic within $\pm 2.0\%$ of specified accuracy	
Influence of	Magnetic field Shock/vibration Input voltage Current Unbalanced current Input frequency Load resistance Analog output	0.5% maximum at 400 ampere turns/meter <0.2% after: 50G x 3 axis x 6 repetitions/16.7Hz, 4mm p-p for one hour (Per Ansi C39.1) <0.05 Power Factor (10 to 120% of rated voltage) 5-200% of rated current <0.2% of full scale <0.05 (45-65Hz) Power Factor 0 to 1mA, 0-10 kilo ohm within +0.05% of full scale 4 to 20mA, 12 $\pm$ 8mA: 0-750 ohm within +0.05% of full scale	
Surge Withstand Voltage	SWC tests	Meets IEEE 472/ANSI C37.90a Meets JIS C1111 (5kV 1.2 x 50 microseconds)	
Dimensions		W x D x H = 4.33" x 6.54" x 4.33"	
Weight	Meter with hardware	1000gm. (2.2 lbs.) or less	
Design Std.	ANSI C39.1	(American National Standards Institute)	

DIGITAL SWITCHBOARD METERS

**FLEX-CORE®**  
Div. Morlan & Associates, Inc.  
4970 Scioto Darby Rd. Hilliard, Ohio 43026

**WWW.FLEX-CORE.COM**  
sales@flex-core.com

**PHONE** (614) 889-6152  
**TECH. ASSISTANCE** (614) 876-8308  
**FAX #** (614) 876-8538

# DIGITAL SWITCHBOARD METERS

## AMPS - VOLTS - FREQUENCY (SINGLE FUNCTION)

MODEL 2491

FUNCTION	INPUT RATING	FREQUENCY	ANALOG OUTPUT	COMMUNICATION	AUX. POWER
11..... Amps AC	01..... 1A	0..... None	AAA .. No Output	1... RS485 (YCA)	1..... 120/240Vac
21..... Volts AC	05..... 5A	1..... 50/60Hz	AFA... 0-1mA	2... MODBUS	3..... 24Vdc
25..... Volts DC	10..... 150V	2..... 400Hz	AHD.. 4-20mA		4..... 48Vdc
81..... Frequency	20..... 300V				5..... 125Vdc
	30..... 600V				
	57..... 150Vdc				
	67..... 300Vdc				
	77..... 600Vdc				

Notes:

1. Maximum scaling ratio for Amps is 9999:1
2. Maximum scaling ratio for Volts is 9999:1
3. AHD suffix not available with frequency meter.



2491

Ordering Example: 2491-21-10-1-AHD-1-1 is an AC Voltmeter, 150Vac, 50/60Hz with a 4-20mA output and 120/240Vac Auxiliary Power

## AC WATTS - AC VARS (SINGLE FUNCTION)

MODEL 2491

FUNCTION/CONNECTIONS	AC INPUT RATING	FREQUENCY	ANALOG OUTPUT	COMMUNICATION	AUX. POWER
51 ... Watt...1P2W (1 Element)	11 ..... 120Volt/1Amp	1 ..... 50/60Hz	AAA ... No Output	1... RS485 (YCA)	1 ..... 120/240Vac
52 ... Watt...1P3W (2 Element)	15 ..... 120Volt/5Amp		AFA.... 0-1mA	2... MODBUS	3 ..... 24Vdc
53 ... Watt...3P3W (2 Element)	21 ..... 240Volt/1Amp		AHD... 4-20mA		4 ..... 48Vdc
54 ... Watt...3P4W (2 <sup>1/2</sup> Element)	25 ..... 240Volt/5Amp		AHF ... 12±8mA (4-12-20)		5 ..... 125Vdc
55 ... Watt...3P4W (3 Element)	31 ..... 480Volt/1Amp				
61 ... Vars...1P2W (1 Element)	35 ..... 480Volt/5Amp				
62 ... Vars...1P3W (2 Element)					
63 ... Vars...3P3W (2 Element)					
64 ... Vars...3P4W (2 <sup>1/2</sup> Element)					
65 ... Vars...3P4W (3 Element)					

Notes:

1. Watts/Kilowatts/Megawatts/ and Vars/Kilovars/Megavars legends are user selectable.

Ordering Example: 2491-53-15-1-AFA-1-1 is a 3P3W Wattmeter; 120V/5Amp, 50/60Hz, 0-1mA output, and 120/240Vac Auxiliary Power



2491

## POWER FACTOR/PHASE ANGLE (SINGLE FUNCTION)

MODEL 2491

FUNCTION/CONNECTIONS	AC INPUT RATING	FREQUENCY	ANALOG OUTPUT	COMMUNICATION	AUX. POWER
71 ... PF...1P2W (1 Element)	11 ..... 120Volt/1Amp	1 ..... 50/60Hz	AAA ... No Output	1... RS485 (YCA)	1 ..... 120/240Vac
72 ... PF...1P3W (2 Element)	15 ..... 120Volt/5Amp		AFA.... 0-1mA	2... MODBUS	3 ..... 24Vdc
73 ... PF...3P3W (2 Element)	21 ..... 240Volt/1Amp		AHD... 4-20mA		4 ..... 48Vdc
74 ... PF...3P4W (2 <sup>1/2</sup> Element)	25 ..... 240Volt/5Amp		AHF ... 12±8mA (4-12-20)		5 ..... 125Vdc
75 ... PF...3P4W (3 Element)	31 ..... 480Volt/1Amp				
91 ... PA...1P2W (1 Element)	35 ..... 480Volt/5Amp				
92 ... PA...1P3W (2 Element)					
93 ... PA...3P3W (2 Element)					
94 ... PA...3P4W (2 <sup>1/2</sup> Element)					
95 ... PA...3P4W (3 Element)					

Notes:

1. These models have a 3 1/2 digit display

Ordering Example: 2491-73-15-1-AFA-1-1 is a 3P3W Power Factor Meter; 120V/5Amp, 50/60Hz, 0-1mA output, and 120/240Vac Auxiliary Power



2491

**FLEX-CORE®**

Div. Morlan & Associates, Inc.

4970 Scioto Darby Rd. Hilliard, Ohio 43026

WWW.FLEX-CORE.COM

sales@flex-core.com

PHONE (614) 889-6152

TECH. ASSISTANCE (614) 876-8308

FAX # (614) 876-8538

DIGITAL SWITCHBOARD METERS

# DIGITAL SWITCHBOARD METERS

## AC VOLT / AMP (DUAL FUNCTION)

**MODEL 2492**

FUNCTION	INPUT RATING	FREQUENCY	ANALOG OUTPUT	COMMUNICATION	AUX. POWER
12.....Volt/Amp	51..150Volt/1Aac	1.....50/60Hz	AAA ....No Output	1... RS485 (YCA)	1.....120/240Vac
	61..300Volt/1Aac	2.....400Hz	AFA.....0-1mA	2... MODBUS	3.....24Vdc
	71..600Volt/1Aac		AHD....4-20mA		4.....48Vdc
	55..150Volt/5Aac				5.....125Vdc
	65..300Volt/5Aac				
	75..600Volt/5Aac				

Notes:

1. Maximum scaling ratio for Volts is 9999:1; For Amps it is 9999:1



2492

Ordering Example: 2492-12-55-1-AHD-1-1 is a 150V/5Aac, 50/60Hz Dual Meter with 4-20mA output and 120V Auxiliary Power

## AC VOLT / FREQUENCY (DUAL FUNCTION)

**MODEL 2492**

FUNCTION	INPUT RATING	FREQUENCY	ANALOG OUTPUT	COMMUNICATION	AUX. POWER
22.....Volt/Frequency	10..150 Volt	1.....50/60Hz	AAA ....No Output	1... RS485 (YCA)	1.....120/240Vac
	20..300 Volt	2.....400Hz	AFA.....0-1mA	2... MODBUS	3.....24Vdc
	30..600 Volt		AHD....4-20mA		4.....48Vdc
					5.....125Vdc

Notes:

1. Maximum scaling ratio for Volts is 9999:1



2492

Ordering Example: 2492-22-10-1-AFA-1-1 is a Volt/Frequency Meter; 150V, 50/60Hz, 0-1mA outputs and 120V Auxiliary Power

## AC WATT / VAR (DUAL FUNCTION)

**MODEL 2492**

FUNCTION/ CONNECTIONS	AC INPUT RATING	FREQUENCY	ANALOG OUTPUT	COMMUNICATION	AUX. POWER
40.....Watt/Var.....1P2W	11..120Volt/1Amp	1.....50/60Hz	AAA ....No Output	1... RS485 (YCA)	1.....120/240Vac
41.....Watt/Var.....1P3W	15..120Volt/5Amp		AFA.....0-1mA	2... MODBUS	3.....24Vdc
42.....Watt/Var.....3P3W	21..240Volt/1Amp		AHD....4-20mA		4.....48Vdc
43.....Watt/Var.....3P3W	25..240Volt/5Amp		AHF ....12±8mA		5.....125Vdc
44.....Watt/Var.....3P4W	31..480Volt/1Amp		(4-12-20)		
	(2 <sup>1/2</sup> Element)				
	35..480Volt/5Amp				
	3P4W				
	(3 Element)				

Notes:

1. Maximum scaling ratio for Voltage is 9999:1; For Amps it is 9999:1

2. Watts/Kilowatts/Megawatts and Vars Kilovars/Megavars legends are user selectable.



2492

Ordering Example: 2492-42-15-1-AFA-1-1 is a 3P3W Watt/Var Meter; 120V/5A, 50/60Hz, 0-1mA outputs and 120V Auxiliary Power

## AC WATT / POWER FACTOR (DUAL FUNCTION)

**MODEL 2492**

FUNCTION/ CONNECTIONS	AC INPUT RATING	FREQUENCY	ANALOG OUTPUT	COMMUNICATION	AUX. POWER
45.....Watt/PF.....1P2W	11..120Volt/1Amp	1.....50/60Hz	AAA ....No Output	1... RS485 (YCA)	1.....120/240Vac
46.....Watt/PF.....1P3W	15..120Volt/5Amp		AFA.....0-1mA	2... MODBUS	3.....24Vdc
47.....Watt/PF.....3P3W	21..240Volt/1Amp		AHD....4-20mA		4.....48Vdc
48.....Watt/PF.....3P4W	25..240Volt/5Amp		AHF ....12±8mA		5.....125Vdc
	31..480Volt/1Amp		(4-12-20)		
	(2 <sup>1/2</sup> Element)				
	35..480Volt/5Amp				
	3P4W				
	(3 Element)				

Notes:

1. Maximum scaling ratio for Voltage is 9999:1; For Amps it is 9999:1

2. Watts/Kilowatts/Megawatts legends are user selectable.



2492

Ordering Example: 2492-47-15-1-AFA-1-1 is a 3P3W Watt/PF Meter; 120V/5A, 50/60Hz with 0-1mA outputs and 120V Auxiliary Power

**FLEX-CORE®**

Div. Morlan & Associates, Inc.

4970 Scioto Darby Rd. Hilliard, Ohio 43026

WWW.FLEX-CORE.COM

sales@flex-core.com

PHONE (614) 889-6152

TECH. ASSISTANCE (614) 876-8308

FAX # (614) 876-8538

# DIGITAL SWITCHBOARD METERS

## VOLT/VOLT/VOLT (TRIPLE FUNCTION)

**MODEL 2493**

FUNCTION	INPUT RATING/ CONNECTIONS	FREQUENCY	ANALOG OUTPUT	COMMUNICATION	AUX. POWER
01.....3P3W	10.....150Vac	1.....50/60Hz	AAA ....No Output	1... RS485 (YCA)	1.....120/240Vac
02.....3P4W	20.....300Vac	2.....400Hz	AFA.....0-1mA	2... MODBUS	3.....24Vdc
	30.....600Vac		AHD....4-20mA		4.....48Vdc
					5.....125Vdc



2493

Notes:

1. Maximum scaling ratio for Volts is 9999:1

Ordering Example: 2493-01-10-1-AHD-1-1 is a 3P3W, 150V, 50/60Hz, Triple Meter with 4-20mA outputs and 120/240Vac Auxiliary Power

## AMP/AMP/AMP (TRIPLE FUNCTION)

**MODEL 2493**

FUNCTION	INPUT RATING	FREQUENCY	ANALOG OUTPUT	COMMUNICATION	AUX. POWER
05.. 3 Phase Amps A, B, C	01.. 1Aac	1.....50/60Hz	AAA ....No Output	1... RS485 (YCA)	1.....120/240Vac
	05.. 5Aac	2.....400Hz	AFA.....0-1mA	2... MODBUS	3.....24Vdc
			AHD....4-20mA		4.....48Vdc
					5.....125Vdc



2493

Notes:

1. Maximum scaling ratio is 9999:1

Ordering Example: 2493-05-05-1-AHD-1-1 is a 0-5A, 50/60Hz Triple Meter with 4-20mA outputs and 120/240Vac Auxiliary Power

## VOLT/AMP/FREQUENCY (TRIPLE FUNCTION)

**MODEL 2493**

CONNECTIONS	VOLT/AMP RATING	FREQUENCY	ANALOG OUTPUT	COMMUNICATION	AUX. POWER
07..1P2W	51.. 150V/1Aac	1.....50/60Hz	AAA ....No Output	1... RS485 (YCA)	1.....120/240Vac
08..3P3W Delta	55.. 150V/5Aac	2.....400Hz	AFA.....0-1mA	2... MODBUS	3.....24Vdc
09..3P4W Wye	61.. 300V/1Aac		AHD....4-20mA		4.....48Vdc
	65.. 300V/5Aac				5.....125Vdc
	71.. 600V/1Aac				
	75.. 600V/5Aac				



2493

Notes:

1. Maximum scaling ratio for Volts is 9999:1; for Amps it is 9999:1

Ordering Example: 2493-09-55-1-AHD-1-1 is a 3P4W, 150V/5A, 50/60Hz Triple Meter with 4-20mA outputs and 120/240Vac Auxiliary Power

## WATT/VAR/PF (TRIPLE FUNCTION)

**MODEL 2493**

CONNECTIONS	VOLT/AMP RATING	FREQUENCY	ANALOG OUTPUT	COMMUNICATION	AUX. POWER
34.....1P2W	11.. 120V/1Aac	1.....50/60Hz	AAA ....No Output	1... RS485 (YCA)	1.....120/240Vac
35.....1P3W	15.. 120V/5Aac		AFA.....0-1mA	2... MODBUS	3.....24Vdc
36.....3P3W	21.. 240V/1Aac		AHD....4-20mA		4.....48Vdc
37.....3P4W (2.5 Element)	25.. 240V/5Aac				5.....125Vdc
38.....3P4W (3 Element)	31.. 480V/1Aac				
	35.. 480V/5Aac				



2493

Notes:

1. Maximum scaling ratio for Volts is 9999:1; for Amps it is 9999:1

Ordering Example: 2493-38-15-1-AHD-1-1 is a 3P4W(3Ele), 120V/5A, 50/60Hz Triple Meter with 4-20mA outputs and 120/240Vac Auxiliary Power

**FLEX-CORE®**

Div. Morlan & Associates, Inc.

4970 Scioto Darby Rd. Hilliard, Ohio 43026

WWW.FLEX-CORE.COM

sales@flex-core.com

PHONE (614) 889-6152

TECH. ASSISTANCE (614) 876-8308

FAX # (614) 876-8538

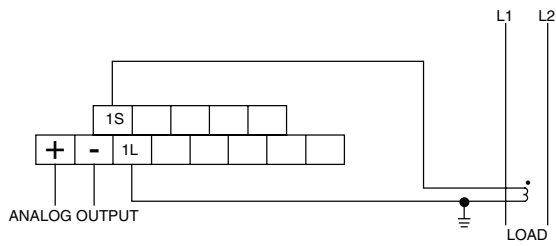
DIGITAL SWITCHBOARD METERS



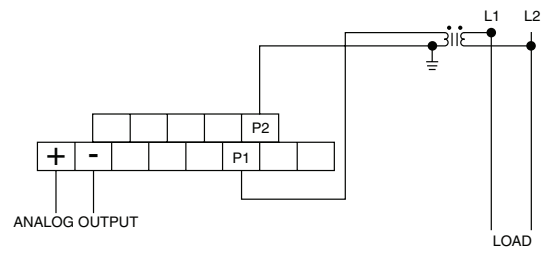
# DIGITAL SWITCHBOARD METERS

## TERMINAL CONNECTIONS

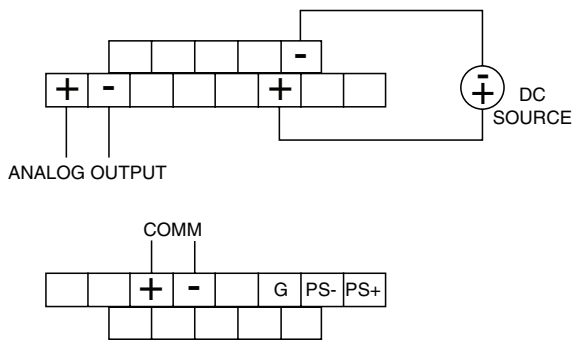
MODEL 2491



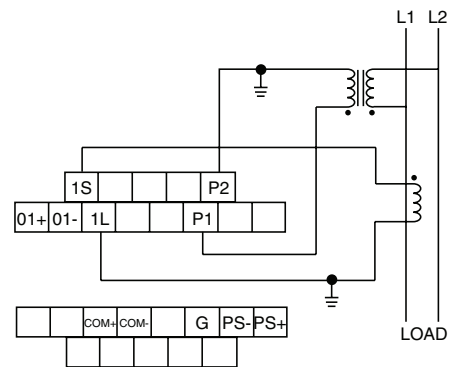
**249111 AC Ammeter**



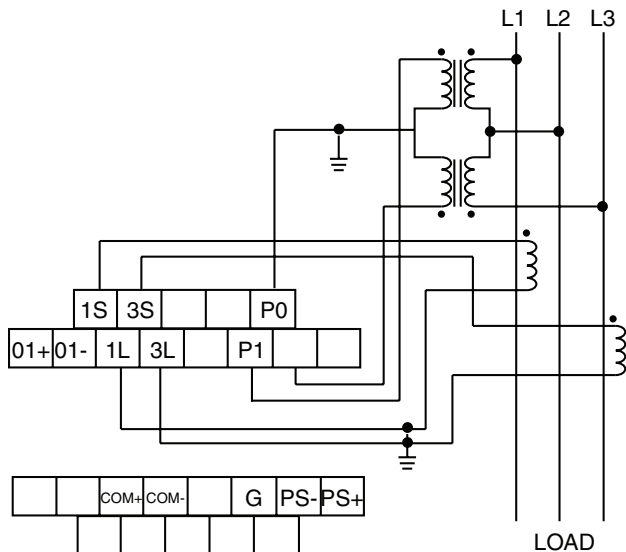
**249121 AC Voltmeter  
249181 Frequency Meter**



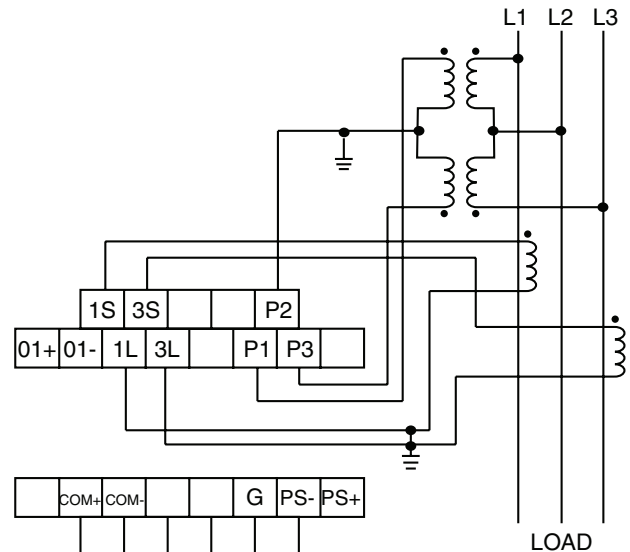
**249125 DC Volt Meter**



**249151 / 249161 / 249171 / 249191  
Watts / Vars / P.F. / Phase Angle (1P2W)**



**249152 / 249162 / 249172 / 249192  
Watts / Vars / P.F. / Phase Angle (1P3W)**



**249153 / 249163 / 249173 / 249193  
Watts / Vars / P.F. / Phase Angle (3P3W)**

DIGITAL SWITCHBOARD METERS

**FLEX-CORE®**

Div. Morlan & Associates, Inc.

4970 Scioto Darby Rd. Hilliard, Ohio 43026

WWW.FLEX-CORE.COM

sales@flex-core.com

PHONE (614) 889-6152

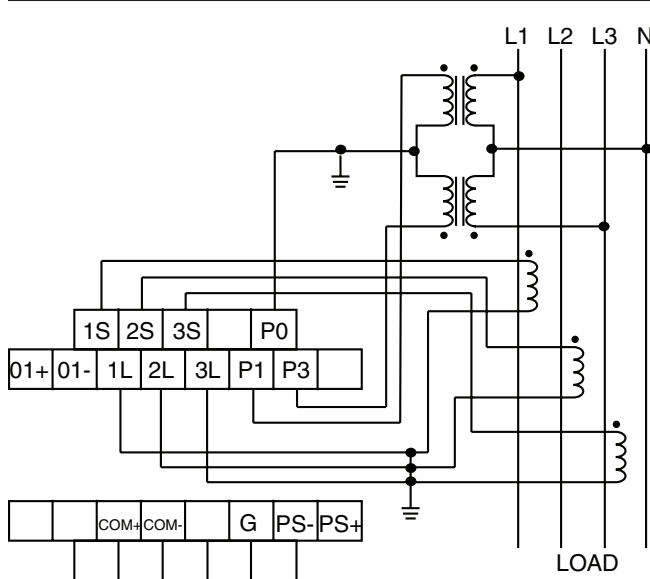
TECH. ASSISTANCE (614) 876-8308

FAX # (614) 876-8538

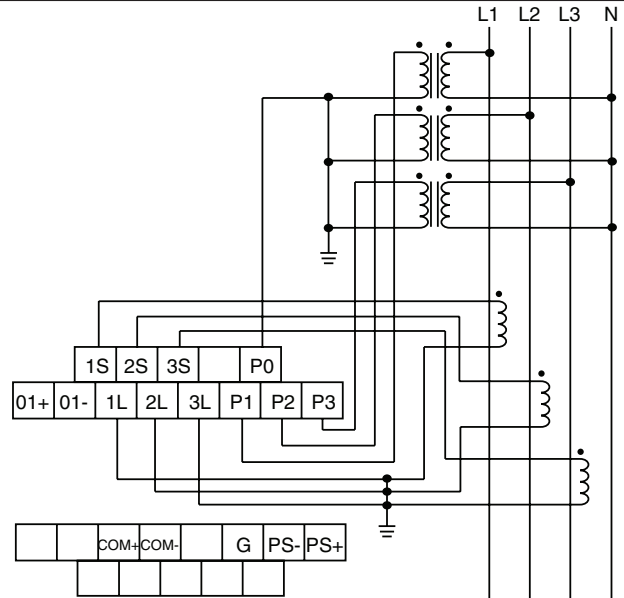
# DIGITAL SWITCHBOARD METERS

## TERMINAL CONNECTIONS

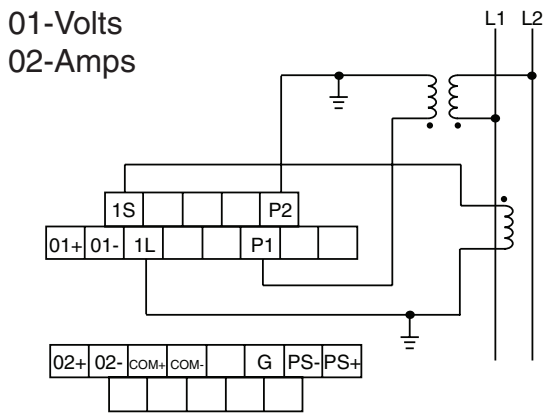
MODELS 2491, 2492



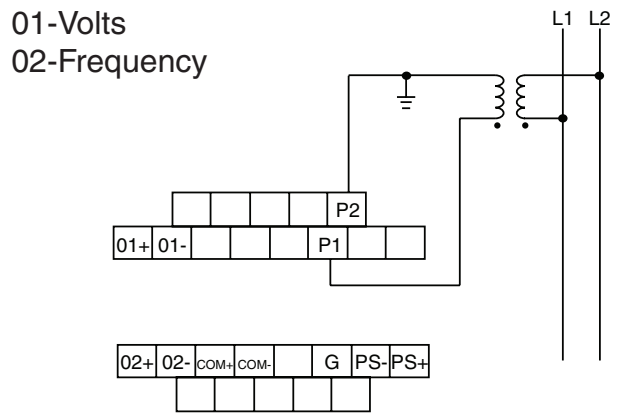
**249154 / 249164 / 249174 / 249194**  
**Watts / Vars / P.F. / Phase Angle (3P4W)**  
**(2½ Element)**



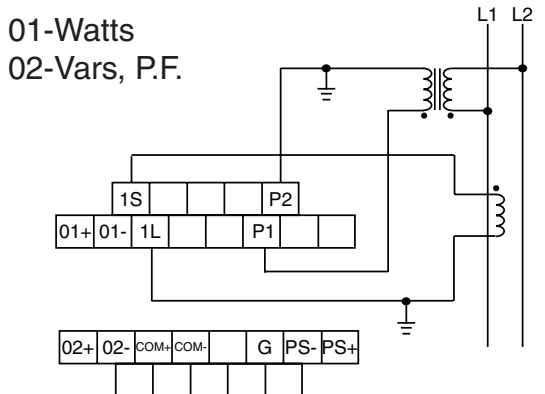
**249155 / 249165 / 249175 / 249195**  
**Watts / Vars / P.F. / Phase Angle (3P4W)**  
**(3 Element)**



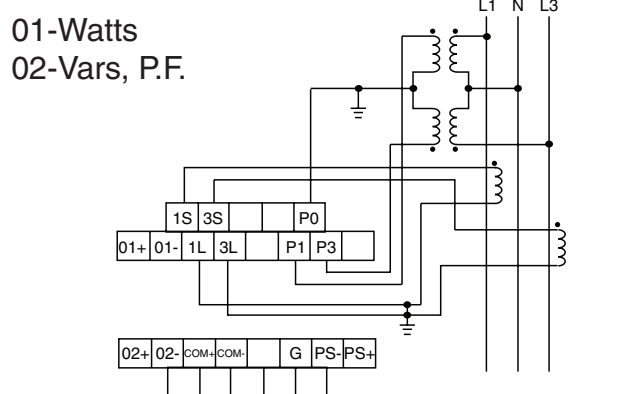
**249212**  
**Dual Function Volts / Amps**



**249222**  
**Dual Function Volts / Hertz**



**249240 / 249245 Dual Function Watts /**  
**Vars, Watts / P.F. (1P2W)**



**249241 / 249246 Dual Function Watts /**  
**Vars, Watts / P.F. (1P3W)**

DIGITAL SWITCHBOARD METERS

**FLEX-CORE®**

Div. Morlan & Associates, Inc.

4970 Scioto Darby Rd. Hilliard, Ohio 43026

WWW.FLEX-CORE.COM

sales@flex-core.com

PHONE (614) 889-6152

TECH. ASSISTANCE (614) 876-8308

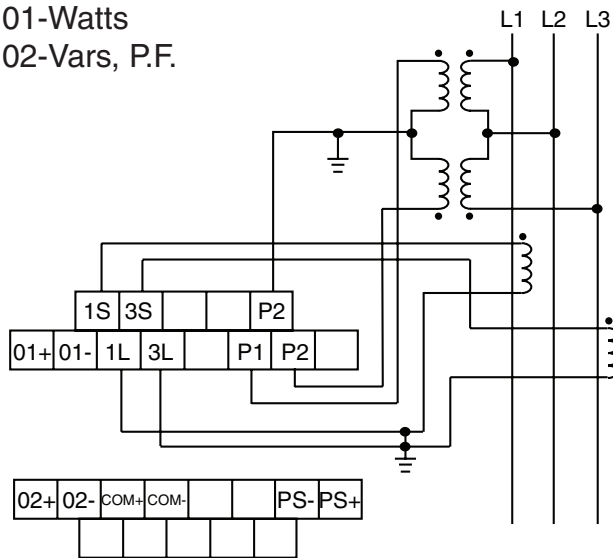
FAX # (614) 876-8538

# DIGITAL SWITCHBOARD METERS

## TERMINAL CONNECTIONS

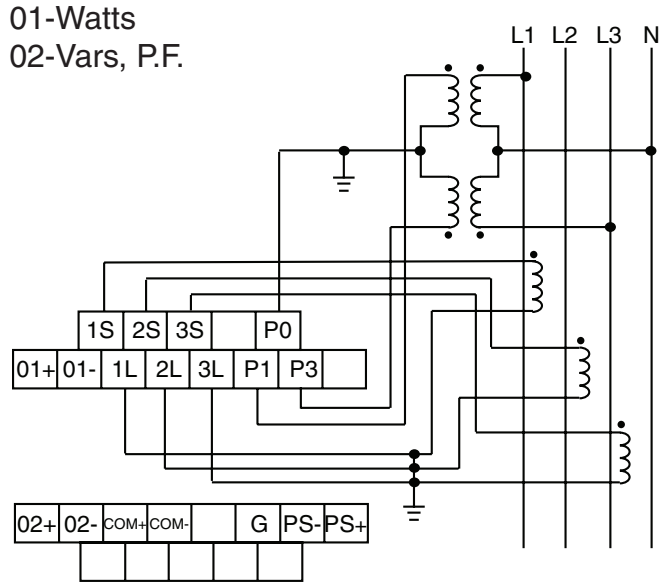
MODEL 2492

01-Watts  
02-Vars, P.F.



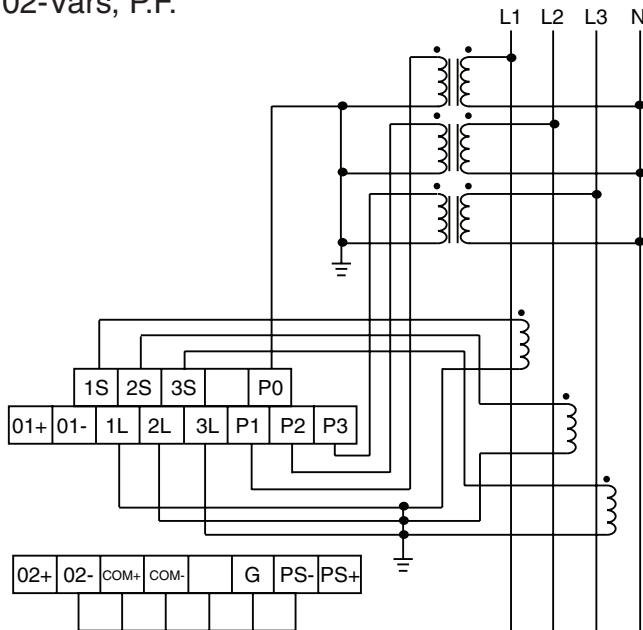
249242 / 249247 Dual Function / Watts / Vars and Watts / P.F. (3P3W)

01-Watts  
02-Vars, P.F.



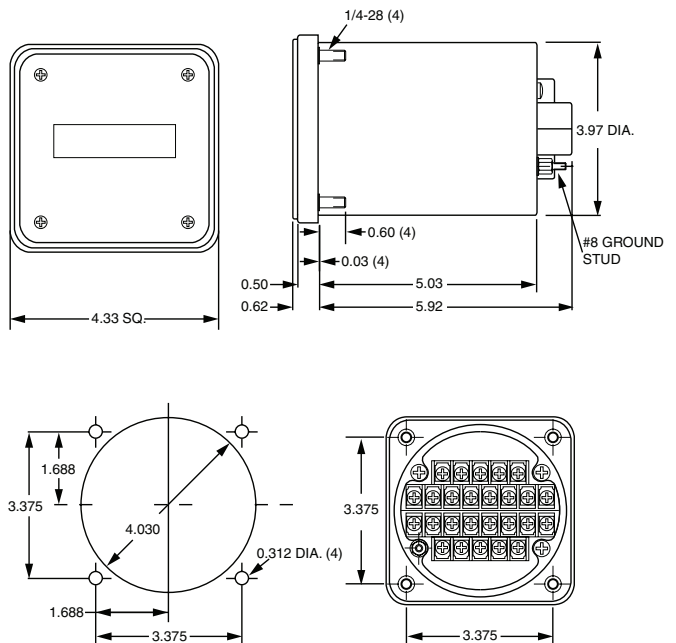
249243 / 249248 Dual Function / Watts / Vars and Watts / P.F. (3P4W 2 1/2 Element)

01-Watts  
02-Vars, P.F.



249244 / 249249 Dual Function / Watts / Vars and Watts / P.F. (3P4W 3 Element)

## DIMENSIONS MODEL 2491 / 2492 / 2493



All Dimensions In Inches

**FLEX-CORE®**

Div. Morlan & Associates, Inc.  
4970 Scioto Darby Rd. Hilliard, Ohio 43026

WWW.FLEX-CORE.COM  
sales@flex-core.com

PHONE (614) 889-6152  
TECH. ASSISTANCE (614) 876-8308  
FAX # (614) 876-8538

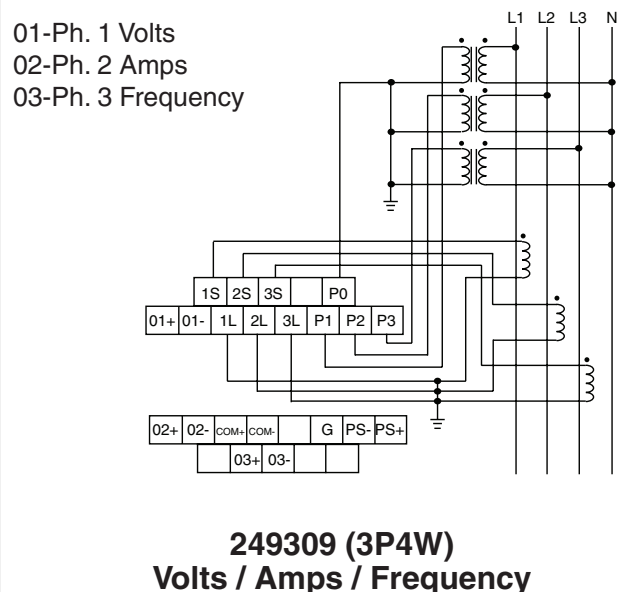
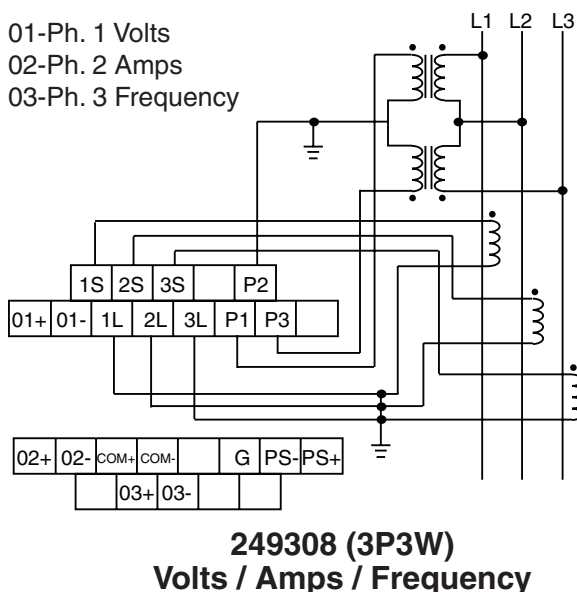
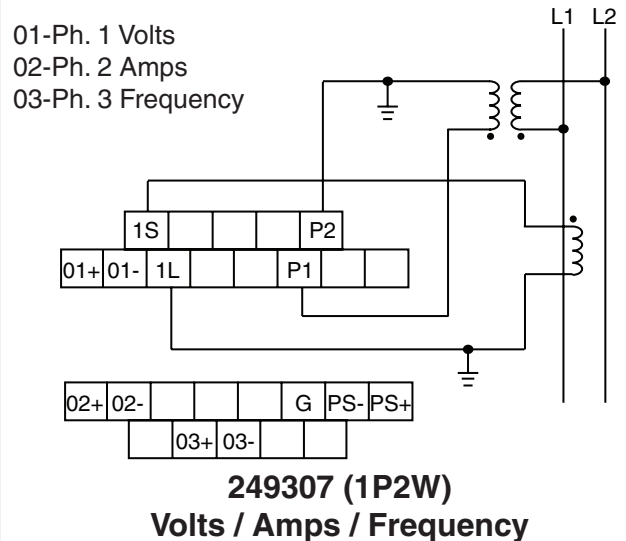
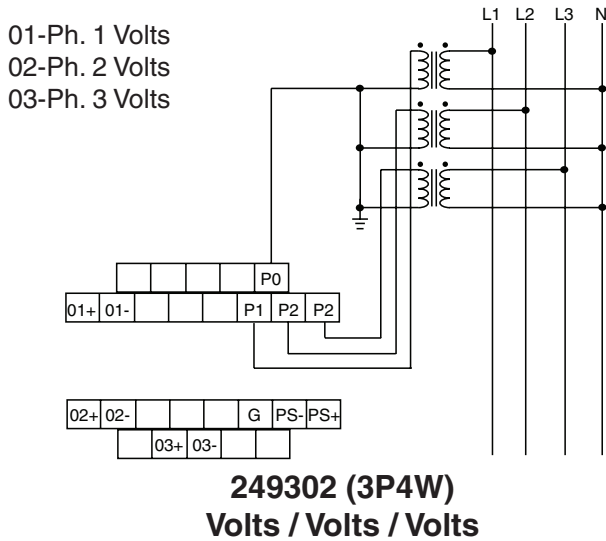
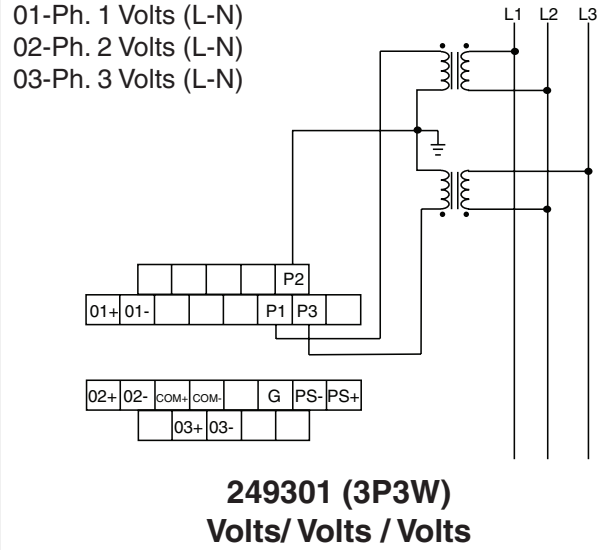
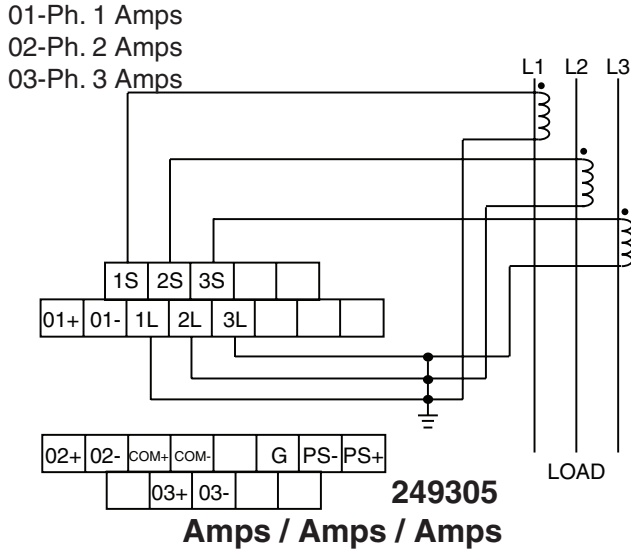
DIGITAL SWITCHBOARD METERS



# DIGITAL SWITCHBOARD METERS

## TERMINAL CONNECTIONS

MODEL 2493



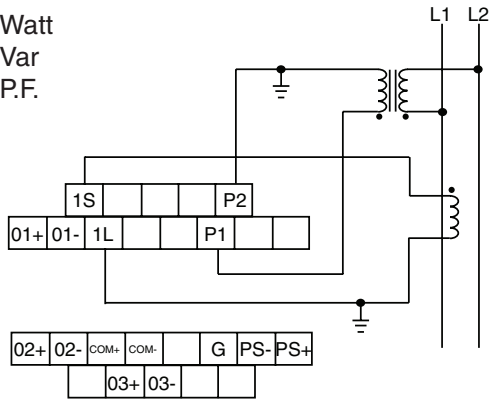
DIGITAL SWITCHBOARD METERS

# DIGITAL SWITCHBOARD METERS

## TERMINAL CONNECTIONS

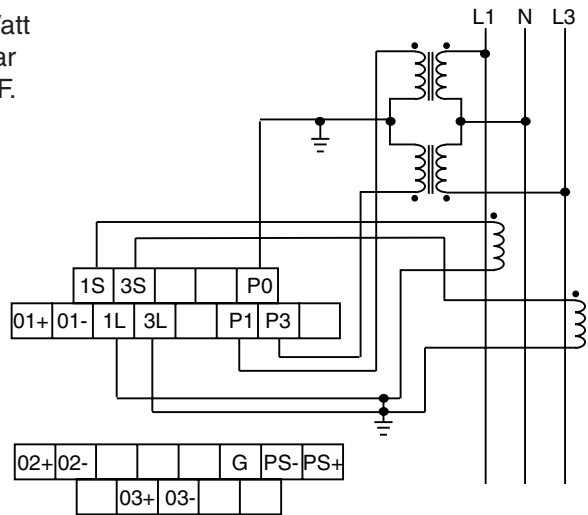
MODEL 2493

01-Watt  
02-Var  
03-P.F.



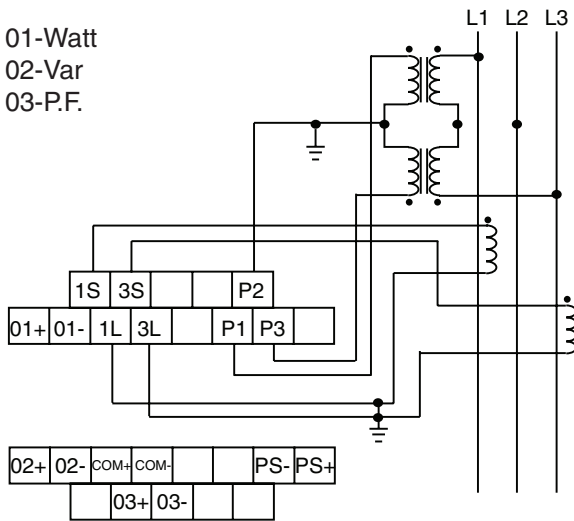
**249334 (1 Phase, 2 Wire)**  
Watts / Vars / Power Factor

01-Watt  
02-Var  
03-P.F.



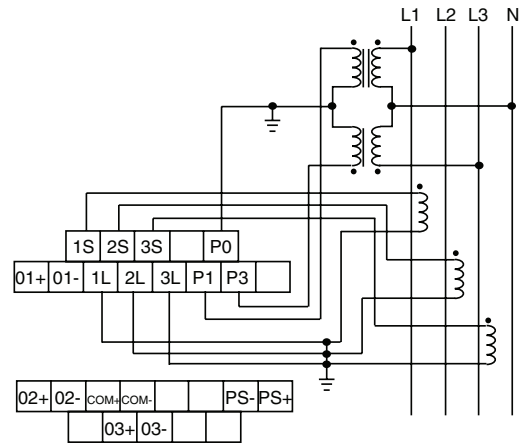
**249335 (1 Phase, 3 Wire)**  
Watts / Vars / Power Factor

01-Watt  
02-Var  
03-P.F.



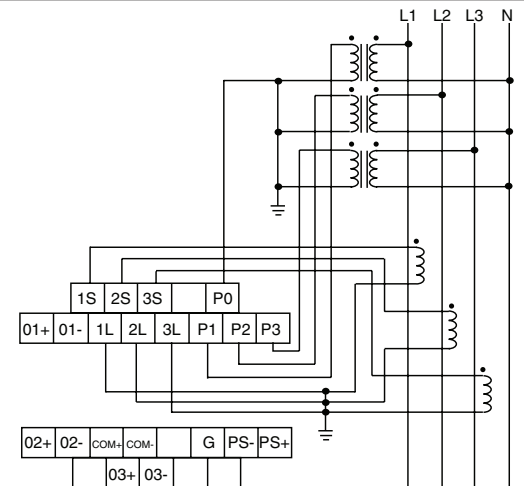
**249336 (3 Phase, 3 Wire)**  
Watts / Vars / Power Factor

01-Watt  
02-Var  
03-P.F.



**249337 (3 Phase, 4 Wire, 2 1/2 Element)**  
Watts / Vars / Power Factor

01-Watt  
02-Var  
03-P.F.



**249338 (3 Phase, 4 Wire, 3 Element)**  
Watts / Vars / Power Factor

DIGITAL SWITCHBOARD METERS

**FLEX-CORE®**

Div. Morlan & Associates, Inc.

4970 Scioto Darby Rd. Hilliard, Ohio 43026

WWW.FLEX-CORE.COM

sales@flex-core.com

PHONE (614) 889-6152

TECH. ASSISTANCE (614) 876-8308

FAX # (614) 876-8538