

VOLTAGE TRANSDUCERS

AC VOLTAGE TRANSDUCER

MODEL 3AVT

THREE VOLTAGE TRANSDUCERS IN ONE ENCLOSURE

FEATURES

- Accurate, reliable voltage measurement.
- Three separate inputs, three outputs.
- 2200Vac input/output isolation.
- UL, CUL, CE Listed.



INPUT	OPTIONAL OUTPUTS MODEL AVT-				
AC VOLTAGE	0-1mAdc*	4-20mAdc	4-20mAdc**	0-10Vdc*	0-5Vdc*
0-90	090A	090E	090E2	090C	090CX5
0-150	150A	150E	150E2	150C	150CX5
0-300	300A	300E	300E2	300C	300CX5
0-600	600A	600E	600E2	600C	600CX5

*Models are self-powered from measured voltage line.

** E2 loop-powered models require 15-24Vdc.

E (4-20mA) models require 115Vac instrument power.

Optional 230Vac instrument power - Add suffix "-22".

"E" models are not CE listed.

APPLICATIONS

- Designed for use in three phase applications which require inexpensive voltage measurement.
- 3AVT150 can be used with higher voltage potential transformers
- Line voltage monitoring.



ORDERING INFORMATION

Example: Three 0-120Vac Inputs
with Three 0-1mA Outputs.
3AVT-150A

Transducer output is derived from the average absolute value of the input and calibrated as the RMS value of the sine wave input.

NOTE: For an output that represents the average of the three inputs:
Add Suffix "Y05" (Formerly X668) (Not UL, CUL, or CE Listed)

SPECIFICATIONS

INPUT

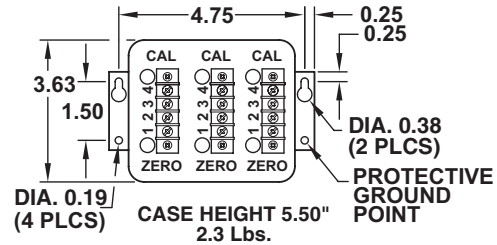
Frequency Range 50/60Hz
 Burden 90V & 150V models 1VA
 300V models 2VA
 600V models 3VA
 Overload F.S. Rating
 600V models 575V
 Dielectric Test...(Input/Output/Case).....2200Vac
 Instrument Power
 Std. 4-20mA units .. 115Vac, 50/60Hz, ±15%, 10VA
 "-22" Option" 230Vac, 50/60Hz, ±15%, 10VA

OUTPUT

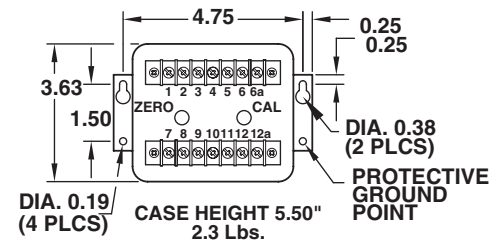
ACCURACY ±0.25% F.S. @60Hz
 Includes effects of linearity (10-100%) and setpoint.
 Output Ripple..... < 1.0% F.S.
 Response 400ms
 Output Loading (Ohms)
 1mA A 0-10K
 4-20mA E 0-1K
 4-20mA E2 (@24Vdc)...0-600
 5V & 10V C & CX5 ≥ 10M
 Field Adjustable Cal..... ± 5%
 Temperature Effect ± 1.0% Rdg.
 Temperature Range..... -20°C to +60°C

CASE DIMENSIONS

Models A, C, CX5, & E2

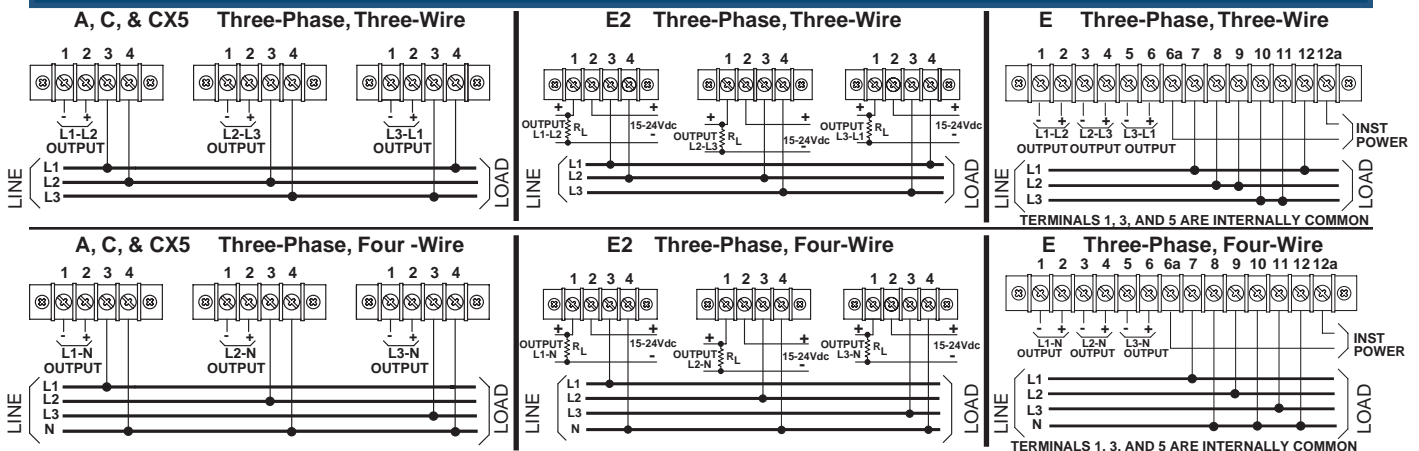


Model E



All Dimensions in Inches

CONNECTION DIAGRAMS



FLEX-CORE®
 Div. Morlan & Associates, Inc.
 4970 Scioto Darby Rd. Hilliard, Ohio 43026

WWW.FLEX-CORE.COM
 sales@flex-core.com

PHONE (614) 889-6152
 TECH. ASSISTANCE (614) 876-8308
 FAX # (614) 876-8538