

# SELECTOR SWITCHES

## VOLTAGE AND CURRENT SELECTOR SWITCHES

MODEL N25

### LOW COST SMALL SELECTOR SWITCHES

#### FEATURES



- Switch designed for minimum mounting space.
- Heavy duty double break silver alloy contacts for long trouble free life.
- Terminals easily accessible for wiring.
- Large screws and saddle wiring clamps.
- Switches can be used in ambient temperatures from -25°C to +55°C.



#### APPLICATIONS

FOR AMMETERS AND VOLTMETERS.

#### RATING

30 AMPERES, 600 VOLTS

3hp @ 120Vac

5hp @ 240Vac

10hp @ 480Vac

15hp @ 600Vac

The N25 series switches are designed for use on instrumentation applications. The double break silver alloy contacts offer high breaking capacity and low contact resistance assuring long trouble free life.

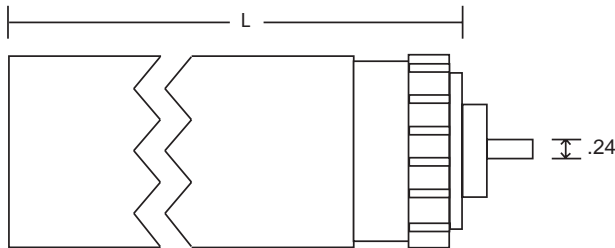
#### OPERATOR

Designed for use in a standard 30mm pushbutton hole. It is suitable for steel panel, insulated panel, or centralized motor control clusters. A faceplate is attached.

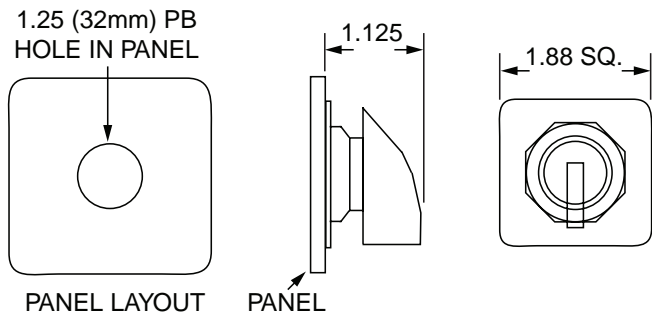
#### ORDERING INFORMATION

**EXAMPLE:** Ammeter, Three Phase, Three Current Transformers, End of Circuit. N25-61325-37S

#### SWITCH ASSEMBLY



#### SWITCH DIMENSIONS



All Dimensions In Inches

#### MODELS AVAILABLE

CATALOG NUMBER	"L" DIM	FUNCTION
N25-61311-37S	2.76	VOLTMETER, Phase to Neutral, Three Phase, Four Wire
N25-61312-37S	2.76	VOLTMETER, Phase to Phase, Three Phase, Three Wire
N25-61313-37S	3.30	VOLTMETER, Phase to Phase, and Phase to Neutral, Three Phase
N25-61325-37S	3.30	AMMETER, Three Phase, End of Circuit, Three Current Transformers
N25-61328-37S	4.37	AMMETER, Three Phase, Three Current Transformers Independent of Circuit
N25-61331-37S	2.76	AMMETER, Three Phase, End of Circuit, Two Current Transformers
N25-61336-37S	4.37	AMMETER & VOLTMETER, Three Phase, Three Wire
N25-61338-37S	4.37	AMMETER & VOLTMETER, Three Phase, Four Wire

**FLEX-CORE®**

Div. Morlan & Associates, Inc.

4970 Scioto Darby Rd. Hilliard, Ohio 43026

[WWW.FLEX-CORE.COM](http://WWW.FLEX-CORE.COM)

[sales@flex-core.com](mailto:sales@flex-core.com)

PHONE (614) 889-6152

TECH. ASSISTANCE (614) 876-8308

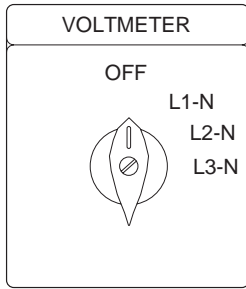
FAX # (614) 876-8538

# SELECTOR SWITCHES

## VOLTAGE AND CURRENT SELECTOR SWITCHES

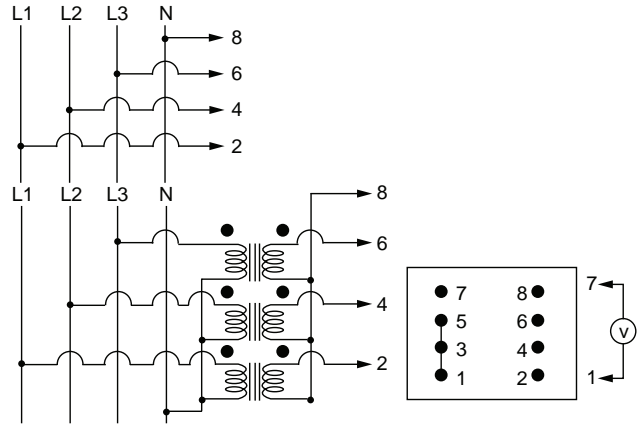
MODEL N25

VOLTAGE SWITCH  
PHASE TO NEUTRAL  
WITH OR WITHOUT P.T.'S

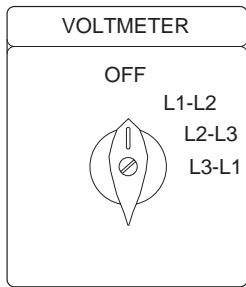


N25-61311-37S

7	8		X		X
5	6				X
3	4			X	
1	2		X		
		OFF	L1-N	L2-N	L3-N

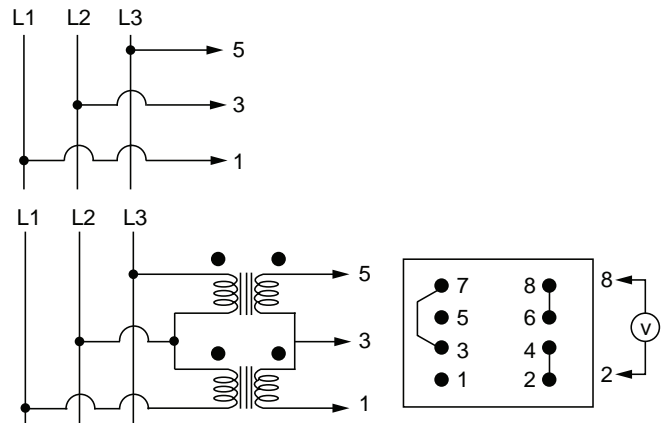


VOLTAGE SWITCH  
PHASE TO PHASE  
WITH OR WITHOUT P.T.'S

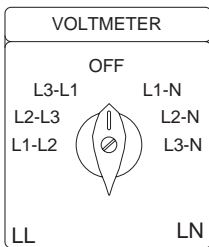


N25-61312-37S

7	8		X		
5	6			X	X
3	4			X	
1	2		X		X
		OFF	L1-L2	L2-L3	L3-L1

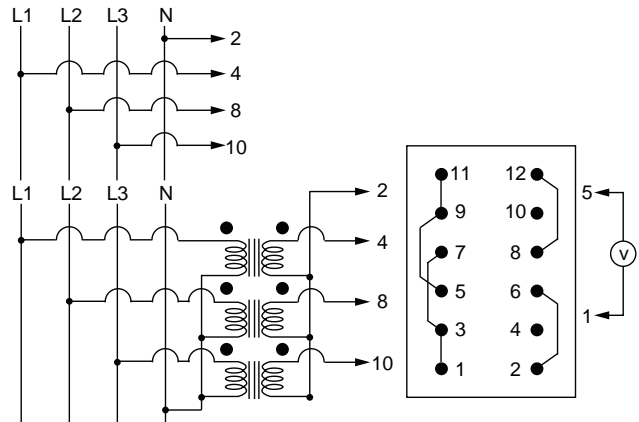


VOLTAGE SWITCH  
PHASE TO NEUTRAL  
PHASE TO PHASE  
WITH OR WITHOUT P.T.'S



N25-61313-37S

11	12						X	
9	10		X		X	X		
7	8		X			X		
5	6	X	X					
3	4	X			X		X	
1	2		X					
		L1-N	L2-N	L3-N	OFF	L3-L1	L2-L3	L1-L2

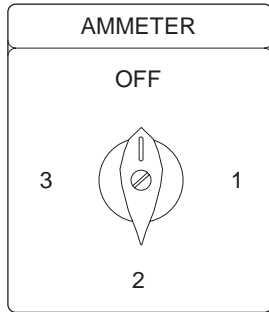


# SELECTOR SWITCHES

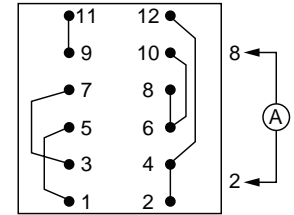
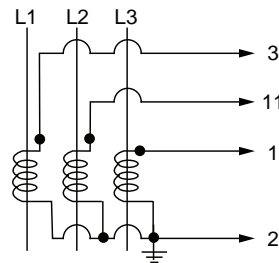
## VOLTAGE AND CURRENT SELECTOR SWITCHES

MODEL N25

AMMETER SWITCH  
3 PHASE  
WITH 3 C.T.S  
END OF CIRCUIT

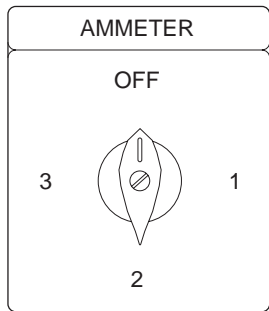


11	12			X	X		
9	10			X	X		
7	8		X	X			
5	6				X	X	
3	4		X	X			
1	2				X	X	
		OFF	1	2	3		

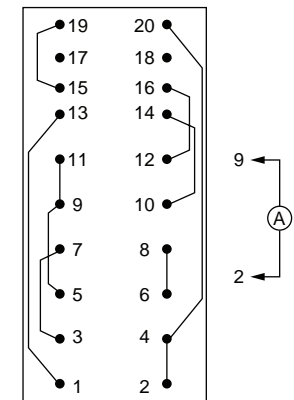
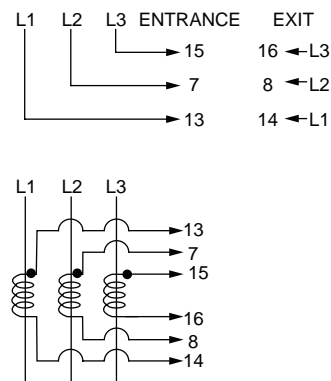


N25-61325-37S

AMMETER SWITCH  
3 PHASE  
WITH OR WITHOUT C.T.S  
INDEPENDENT OF CIRCUIT LOCATION



19	20				X	X	
17	18				X	X	
15	16				X	X	
13	14		X	X			
11	12				X	X	
9	10		X	X			
7	8		X	X	X		
5	6				X	X	
3	4				X	X	
1	2		X	X			
		OFF	1	2	3		



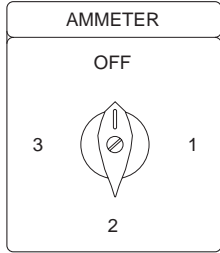
N25-61328-37S

# SELECTOR SWITCHES

## VOLTAGE AND CURRENT SELECTOR SWITCHES

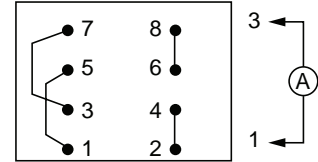
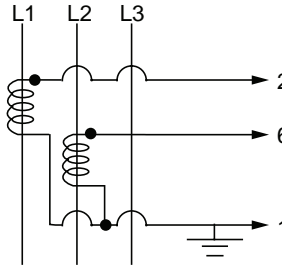
MODEL N25

AMMETER SWITCH  
3 PHASE  
WITH 2 C.T.S  
END OF CIRCUIT

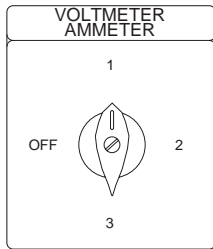


**N25-61331-37S**

7	8			X			X
5	6			X			X
3	4		X			X	
1	2		X			X	
		OFF	1	2	3		

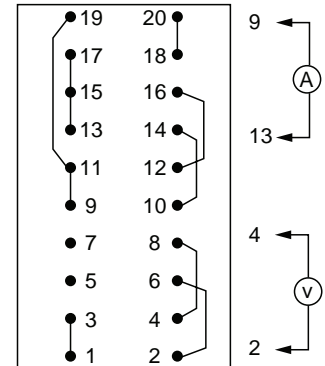
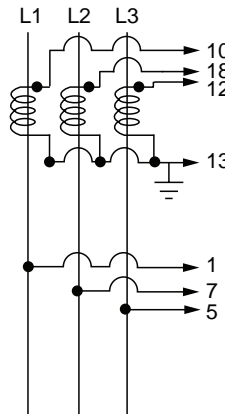


AMMETER, VOLTMETER SWITCH  
3 PHASE  
WITH C.T.S, WITH OR WITHOUT P.T.S.  
PHASE TO PHASE VOLTAGE

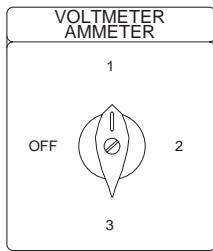


**N25-61336-37S**

19	20			X	X		
17	18			X	X		
15	16				X	X	
13	14		X	X			
11	12				X	X	
9	10		X	X			
7	8		X	X			
5	6				X	X	
3	4					X	X
1	2		X				
		OFF	1	2	3		



AMMETER, VOLTMETER SWITCH  
3 PHASE  
WITH C.T.S, WITH OR WITHOUT P.T.S.  
PHASE TO NEUTRAL VOLTAGE



**N25-61338-37S**

19	20					X	X
17	18		X	X			
15	16				X	X	
13	14		X	X			
11	12				X	X	
9	10			X	X		
7	8					X	
5	6				X	X	
3	4				X		
1	2		X				
		OFF	1	2	3		

